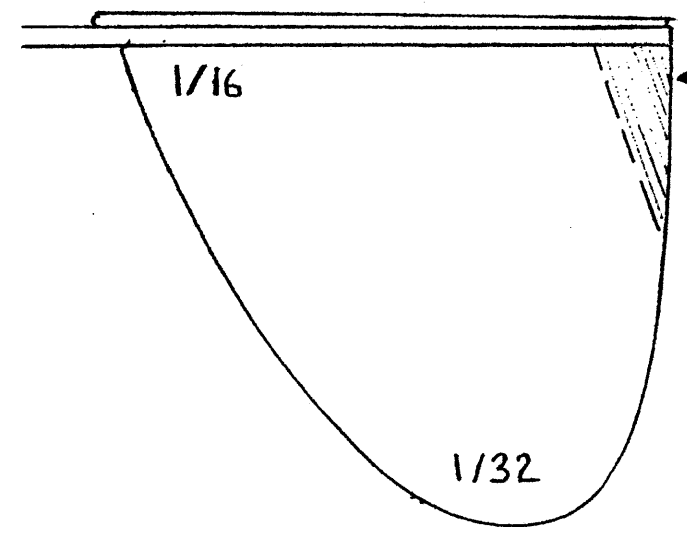
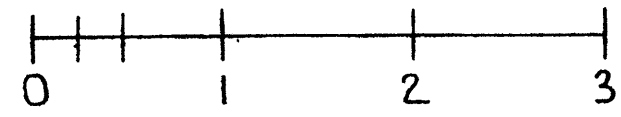
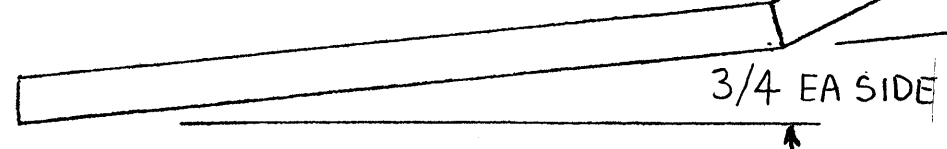


# INFERNO TLG 30

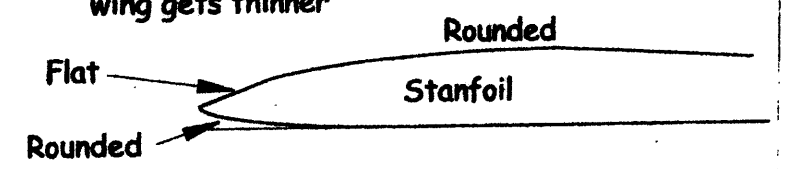
By Stan Buddenbohm  
March 2020



← BEND THIS PORTION  
1/32 FOR RIGHT TURN



To produce the "Flat" hold a small sanding block at the same angle all the way from tip to tip- the flat will get smaller as the wing gets thinner



OPTIONAL

