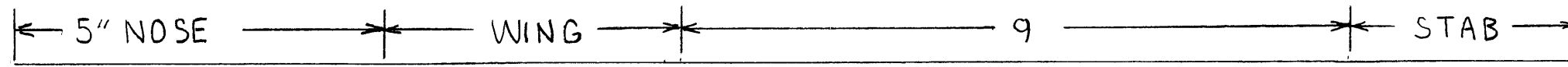
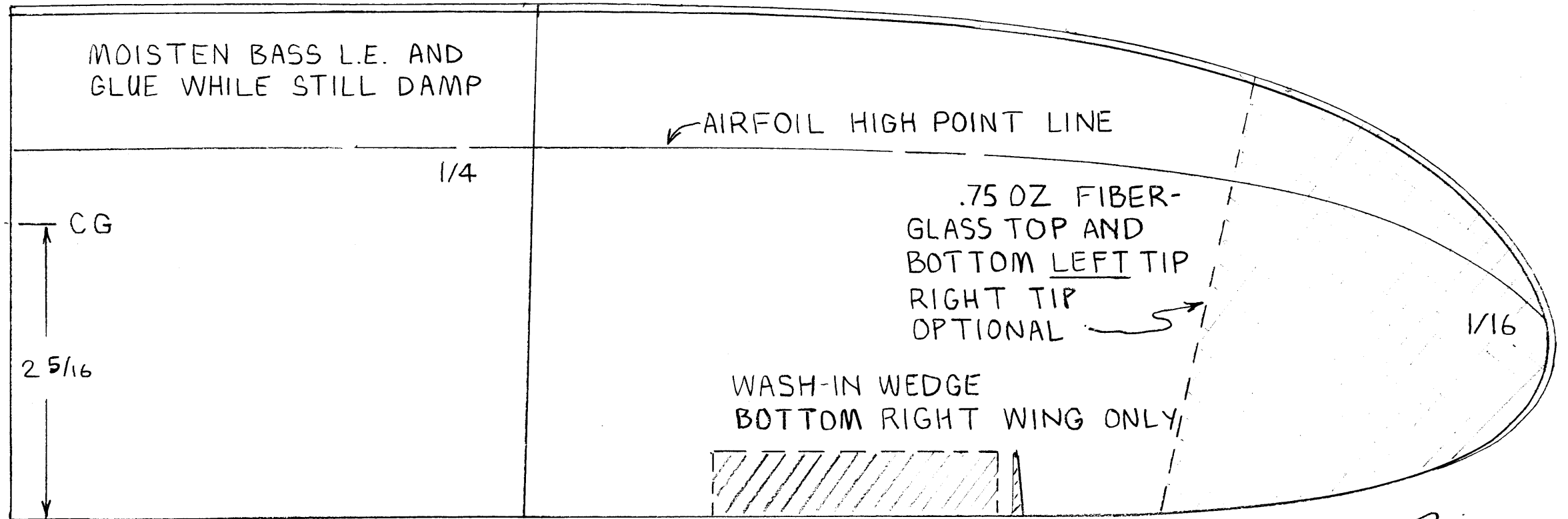


EXPERT OPTION
SAND WASH-OUT INTO
BOTTOM OF LAST 3"
EACH TIP AND SQUARE
TIP DIHEDRAL JOINTS

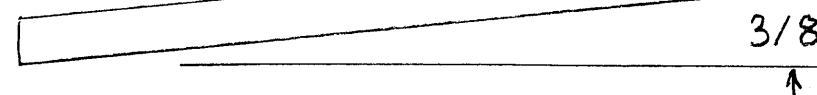
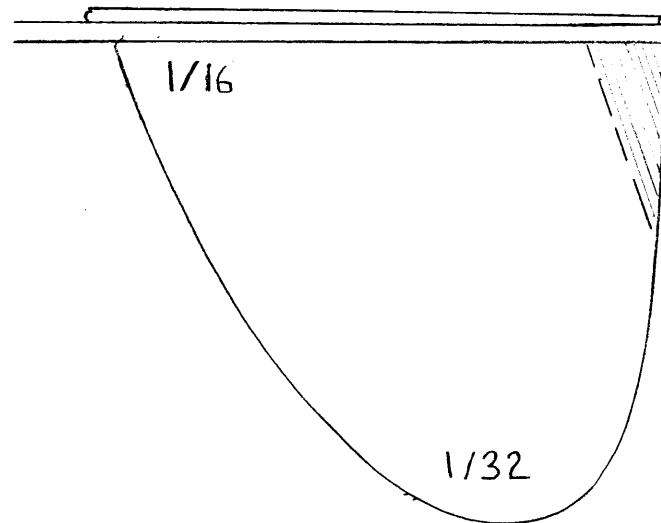
SIZE OPTION
INCREASE LENGTH OF
CENTER PANELS 1"
EACH AND EXTEND
TAIL MOMENT 1"



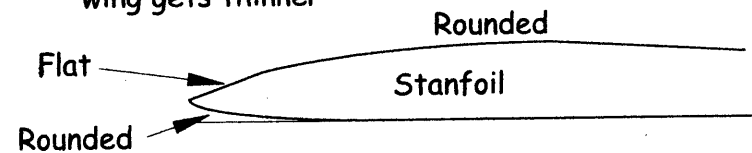
USE RR TLG FUSELAGE

COLE POWER

WING DESIGNED BY HANK COLE
MODEL DESIGNED BY STAN BUDDENBOHM



To produce the "Flat" hold a small sanding
block at the same angle all the way from
tip to tip- the flat will get smaller as the
wing gets thinner



OPTIONAL

